

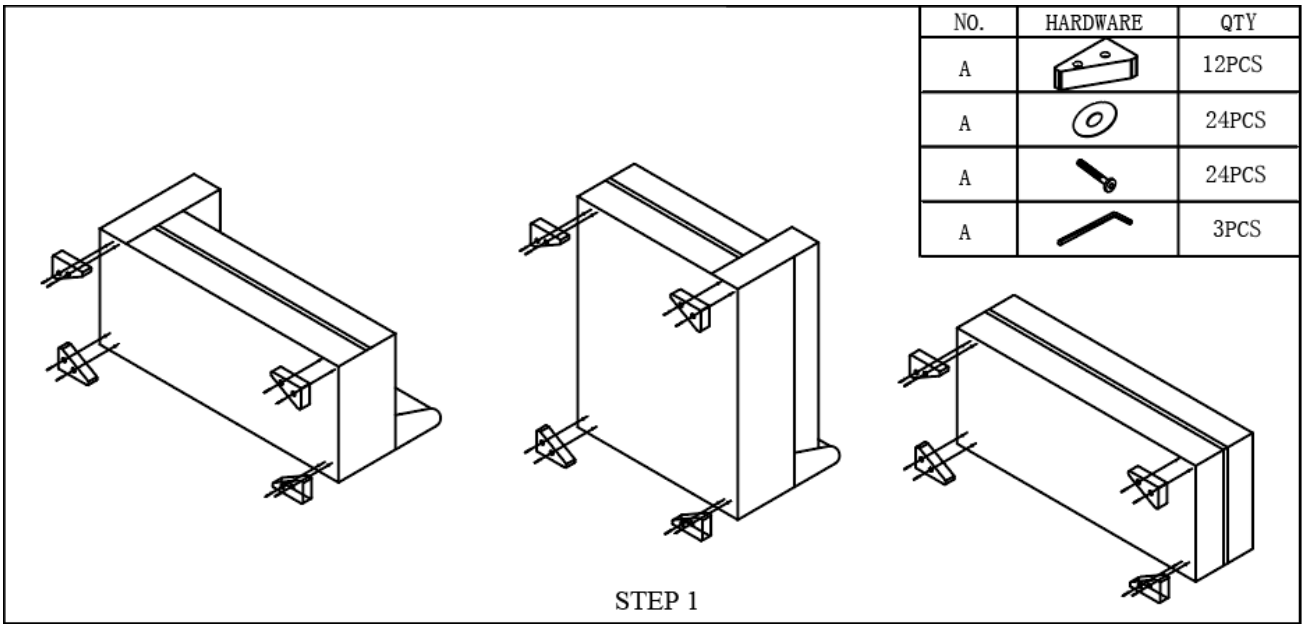
ELLA SOFA & OTTOMAN

IMPORTANT: Please read these assembly instructions carefully before beginning assembly. Retain for future reference. **CAUTION:** This product is heavy. Assemble with the assistance of another adult. Do not assemble in the presence of children.



To Assemble:

The sofa feet are located inside the black dust cover at the bottom of the piece. Unzip to remove the feet. Attach the corner legs to the corresponding pre-drilled holes using the provided hardware, per below.



Carefully lift the chaise end to slot the downward-facing locking tabs into the upward-facing tabs on the end seats. Place ottoman in desired location.

